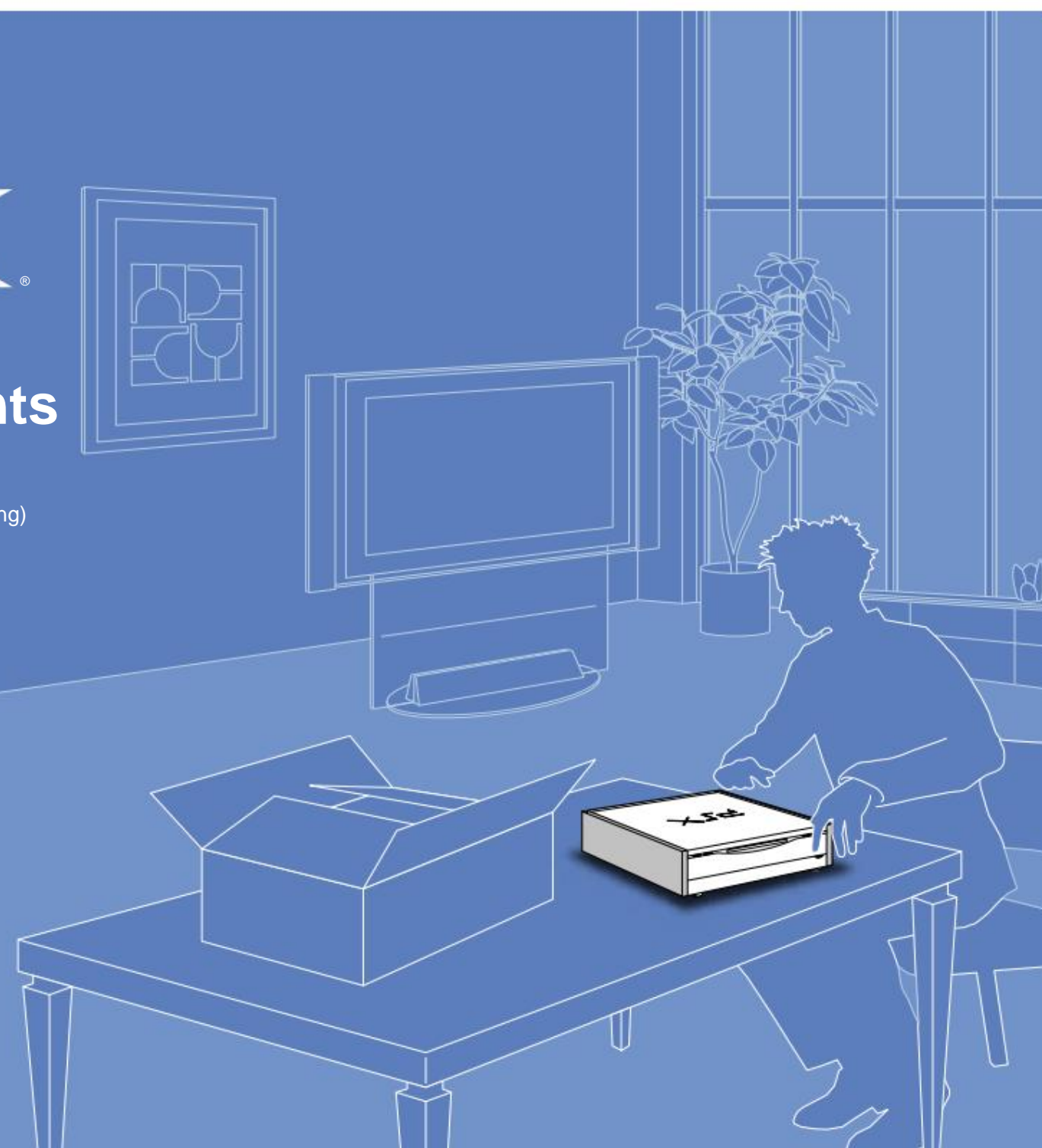




PSX preparation points

This "PSX Preparing Points" contains precautions that must be observed when preparing (installing and connecting) this unit. Prepare this unit while reading it along with the attached instruction manual.



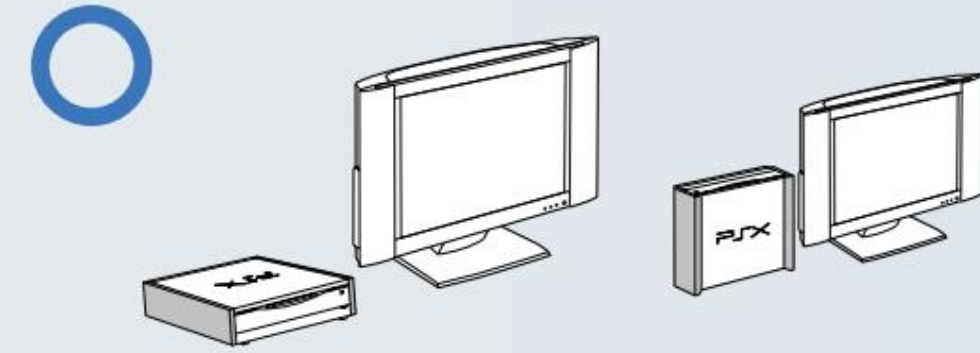
When this unit and TV are connected with a video cord or S-video cord, set the progressive output setting of this unit to "Off".

Select "On" for "Progressive Output" (page 131) in "DVD Settings" of this unit. No image is displayed even when outputting with SIB output. In such cases, leave the setting as "Off".
If DVD images are not displayed, please check the progressive output setting.

Points for installing this machine

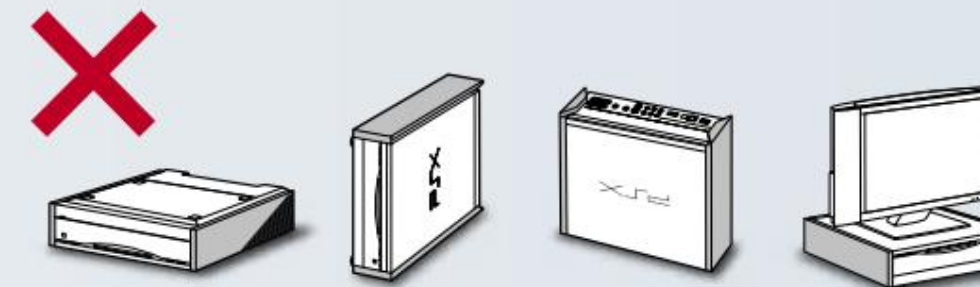
CDs, DVDs, and other discs will not work properly if the unit is installed in a manner other than that specified. Be sure to install the unit according to the correct installation method.

Correct installation



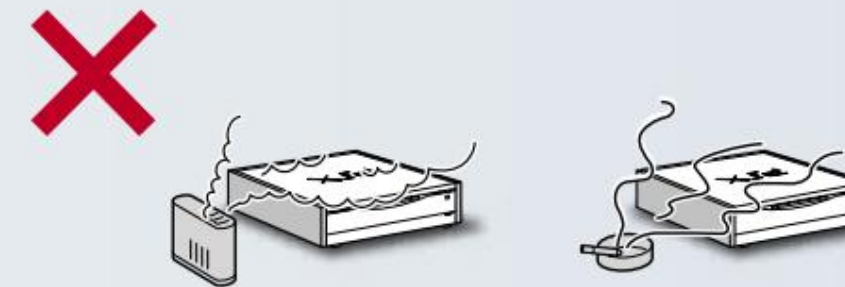
bad installation

The machine will not work properly with this setup.



Do not install the unit in a dusty or smokey environment, or near a humidifier.

If dust, cigarette tar, steam from a humidifier, etc. adhere to parts inside the main unit (lens, etc.), it may cause damage. It will be the cause of the failure.



Points to note when performing "Easy Setup"

"Preparation 7 Easy setup" (page 16)

When the connection and installation are completed and the power of this unit is turned on for the first time, the simple setting screen is displayed. on screen You can set it just by following the instructions displayed on the increase. Be sure to observe the following cautions.

Set the time on this unit accurately according to the time signal.

If the time is not set correctly, you will not be able to receive program guide data, or scheduled recording will not work on time.
I will
The unit is shipped from the factory with the time set in advance, but just in case, check that the current time matches the unit's time. For details, see page 135 of the Owner's Manual .



Please also check the channel settings automatically set in the area code setting just in case.

If you do not select the correct area code for your area in the default area code setting, the program guide may not be displayed correctly. If you do, you may not be able to make scheduled recordings, etc.
You can also set the received channel and area code list (instruction manual page 19 of the manual) do not match and each channel has a guide channel. is not set correctly, manual channel setting is required to obtain the program listing data. may become necessary.

When connecting a cable TV antenna to the unit, you may need to manually set the channel.

Depending on the cable TV station, the channel number is different from what is usually listed in the TV section of the newspaper. A channel number may be assigned. In such cases, use the area code
Even if you set the number, the receive channel settings and guide channel settings may not be set correctly.
In some cases, the group table may not be displayed, so please refer to "Setting the Channel Manually" (page 23) in the Owner's Manual and change the channel settings manually.

Points for correctly receiving program guides

"Preparing to use the program guide" (page 22)

If you make a mistake in setting the Easy Setup, the following It is not possible to use the program guide due to symptoms such as You may not be able to. In such a case, refer to page 22 of the instruction manual for pointers on using the program guide.
Please check the



The program guide cannot be used at the time of purchase.

At the time of purchase, the program information of the program guide is not stored in this unit, so the program information of the program guide is received. You cannot use the program guide until you trust it. Also, if the program information cannot be obtained, the name of the broadcasting station can be displayed. neither can Refer to "Preparing to use the program guide" (page 22) in the Operating Instructions, and
Please wait until the program information in the table can be received. If you change the area code, the program information in the program guide will be retrieved. The acquisition time is also set automatically.

For details, see the corresponding page of the instruction manual.

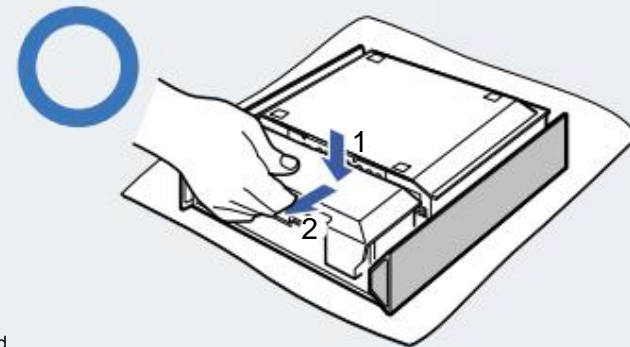
Points to note when connecting antennas and video/audio cable

"Preparation 2 Connecting the Antenna" (page 12)
"Preparation 3 Connecting the Video and Audio Cables" (page 12)

Improper connection of the antenna may damage the hard disk of this unit or damage the antenna. Be sure to observe the following points when working.

Work with the top of the unit facing down only when connecting

When installing with the top surface facing down, Be sure to use a soft cloth before installing Please put

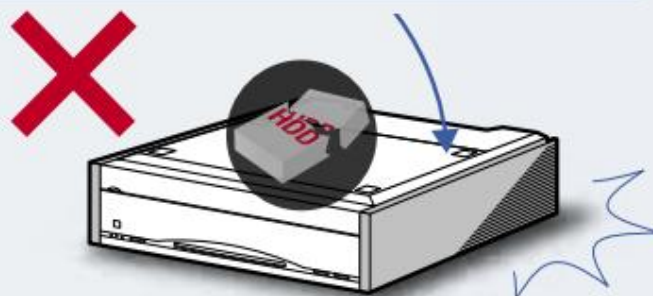


How to remove the lid

Step1 Press once on the lid After getting in,

Step2 Pull forward.

Do not drop the unit or give it a shock while connecting.

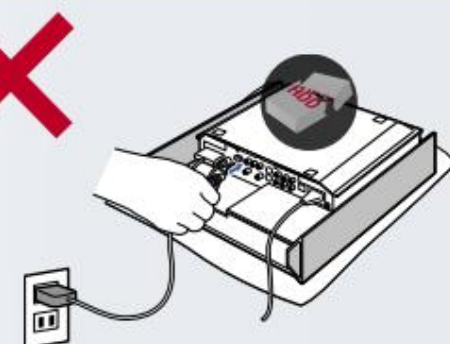


Connect the power cord after all connections are completed.

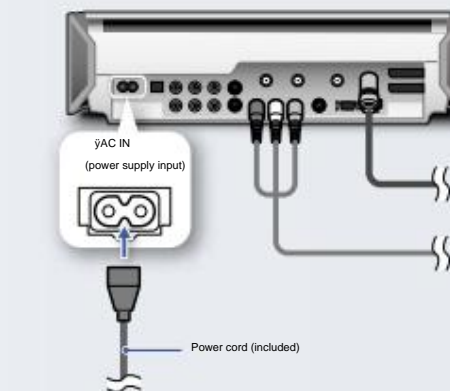
If you connect the power cord of this unit to the wall outlet before installing this unit, the hard disk may be subjected to shock and cause malfunction.

After completing all preparations, connect the power cord according to the following procedure.

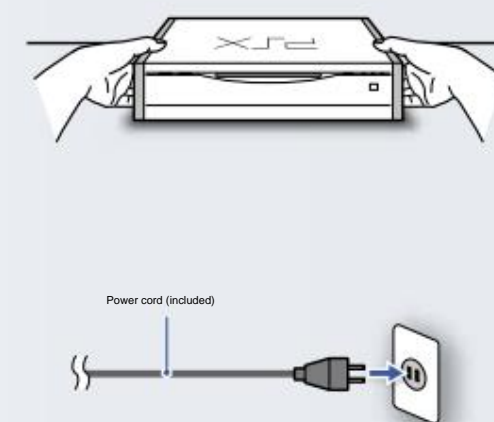
Step1 Connect the power cord to the machine do.



Step2 Decide on an installation location and to be installed.



Step3 Connect the unit to a wall outlet. connect the power cord of be.



Precautions regarding acquisition of program guide data

•When using this unit for the first time after purchase, the program information in the program guide will not be displayed until the program guide is downloaded. The time to transmit the program information in the program guide is determined by the broadcasting station (host station) that transmits the program information in the program guide. It may take about a day.

You can enjoy the functions of this unit other than the program guide even when the program information of the program guide is not obtained.

- In the following situations, this unit will not acquire program information even when the program information acquisition time arrives.
- When watching a TV program
 - When recording a TV program
 - When the home menu is displayed while watching TV
 - When dubbing from HDD to DVD
 - During dubbing from DV to HDD
 - During optimization
 - When creating x-Pict Story

•For the acquisition time, see "Setting the time for acquiring program information in the program guide" (page 127). Please confirm.

•Please do not change the set time unless notified by the broadcasting station.

•When the time to acquire the program guide is approaching, it is recommended to turn off the power of this unit and leave it for about 1 hour. recommended (also make sure there are no scheduled recordings during this time).

•You may not be able to obtain program information from the program guide depending on the radio wave conditions or ghosting conditions.

Points to check when the remote control does not work properly

Check the following first

•Check if the remote control modes of the unit and the remote control match.

For details, see "Changing the remote control mode" (page 136) in the Operating Instructions.

•Do not operate the remote controller away from the main unit.

•Do not expose the remote control sensor to strong light.



•Check the setting of the remote control sensor.

For details, see "Setting the remote control sensor" (page 136) in the operating instructions.

When using the "PSX" dedicated analog controller (DUALSHOCK 2), check the following.

•Check if the buttons on the "PSX" dedicated analog controller (DUALSHOCK 2) have been pressed, and if the cable is wrapped around the stick and the stick is tilted.



•After turning on the power, use the right stick of the "PSX" analog controller (DUALSHOCK 2) and Move the left stick in large circular motions.

For details on how to move, refer to the instruction manual for the "PSX" dedicated analog controller (DUALSHOCK 2).



•If the problem persists, remove the "PSX" dedicated analog controller (DUALSHOCK 2). please.

Handling of this machine

For basic preparation of this unit, refer to "Preparation 1 Checking the Accessories" to "Preparation 7 Easy Setup" in the instruction manual.

However, when using this machine, be sure to observe the following precautions when handling it.

Doing so may damage the unit.

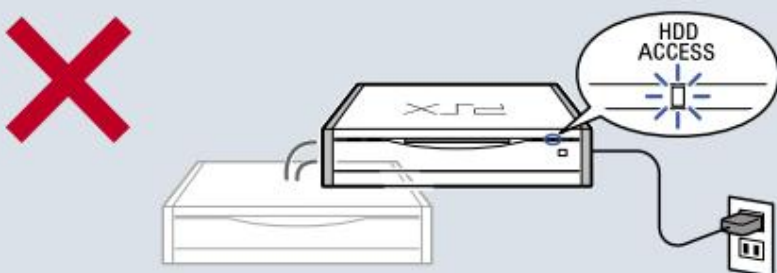
Do not pull out the power cord or move the unit when the power of the unit is on.

Hard disks have built-in safety mechanisms to protect data from vibrations, shocks, and dust, but improper use may result in loss of recorded data or malfunction. In particular, be sure to observe the following precautions. - Do not move the unit or change its orientation while the power cord is plugged in. - Immediately move or move the power cord after plugging/unplugging it or turning the power on/off.

I don't. Wait about 20 seconds after turning off the power.

- Do not move the unit or change its orientation while the HDD ACCESS lamp is blinking.

do not have.



Do not try to insert a disc while a disc is inside the unit (the Eject button lamp is lit blue).

If you try to insert the disc forcibly, this unit or the disc may be damaged.

Make sure there is no disc inserted (the blue light on the eject button is off), then

Please insert a disc.

If the machine does not work properly...

Be sure to check the following first.

- Did you follow the points written in "PSX preparation points" and make settings? please confirm.
- The unit does not operate properly even though you have read the instruction manual and this manual and set it up correctly. If not, please contact us using the contact details below.

商品の修理、お取扱い方法、お買物相談などの問い合わせ

ホームページ ● <http://www.sony.co.jp/SonyDrive/>
 「ソニードライブ」は、ソニーの商品情報とライフスタイルをご提案するホームページです。
 「良くあるご質問」「修理情報」「ショッピング情報」は、ホームページをご利用ください。

- お客様ご相談センター
- ナビダイヤル*..... ☎0570-00-3311
 (全国どこからでも市内通話料でご利用いただけます)
 - 携帯電話・PHSでのご利用は*..... 03-5448-3311
 (ナビダイヤルがご利用できない場合はこちらをご利用ください)
 - FAX..... 0466-31-2595
- 受付時間：月～金曜日 9:00～20:00 土・日・祝日 9:00～17:00

*お電話は自動音声応答にてお受けし、内容に応じて専門の相談員が対応します。はじめにご用件を下記より、次に音声案内にそって商品カテゴリーの番号を押してください。選択番号は変更になることがありますので、ご容赦願います。

- 1：修理受付
- 2：使用方法や故障と思われるご相談
- 3：お買物相談
- 4：業務用・プロ用商品に関するご相談全般
- 5：その他のご相談

ソニー株式会社 〒141-0001 東京都品川区北品川 6-7-35

List of discs that can be played/dubbed on this unit

You can use various types of discs with this unit.

The discs that can be used differ depending on the functions of this unit.

Discs that can be played with video

of the disc type	Disc name	DVD-ROM	DVD-R	DVD-RW logo	DVD+R	DVD+R DL	DVD+RW
mode		Video mode	Video mode	VR mode	+ VR mode	+ VR mode	+ VR mode
Display on this unit		DVD Video	DVD Video	DVD Video	DVD-VR	DVD+VR	DVD+VR

Discs that can be dubbed with video

of the disc type	Disc name	DVD-R	DVD-RW	DVD+R	DVD+RW
Mode		Video mode	Video mode	VR mode	+VR mode
Display		DVD Video on this unit	DVD Video	DVD-VR	DVD+VR
compatible disc version		Ver2.0y Ver2.0/4x speed, Ver2.0/8x speed	Ver1.1, Ver1.1 CPRM compatible, Ver1.1/2x CPRM compatible, Ver1.2/4x CPRM compatible	8x disc or correspond with	4x disc or correspond with
Maximum recording time		about 6 hours			
Compatibility with other devices					
		Playable on DVD players	Playable on DVD players	Playable only on devices that support VR mode	Playable only on devices that support +R
Number of times that can be dubbed		Only once	repeatable	Only once	repeatable
Notes after dubbing					
					For more information page 77
Create DVD menu					
					For more information page 79
Create playlist					
					For more information 76 pages
bilingual broadcast dubbing of	Main audio only				
	Secondary audio only				
	Main audio + secondary audio				
					For more information 129 pages

*1 Recorded with the audio selected in the "DVD dual language recording audio" setting.

*2 Only the audio of the HDD bilingual recording audio set at the time of recording is dubbed.

*3 Both main and sub-audio are dubbed, and can be switched between main and sub-audio during playback.

See also "Notes on "Dubbing to DVD"" (page 91) in the Operating Instructions.

Discs that can be played with Music (play music)

Only music CDs and CD-Rs can be played on this unit.

CD-RW is not supported.

How to create a CD-R on a computer for playback on this unit

Refer to "Playing MP3 files saved on a CD-R on this unit" in the operating instructions.

Please refer to "Precautions when playing" (page 105).

Disc type	Disc name	CD logo	CD-R
operation		Commercially available software CD recorders or CDs created with a computer that record music and voice.	Music formats and MP3 files only playable

Discs that can be played with Photo

CD-R is the only disc that can be played back with Photo on this unit.

For notes on creating a CD-R, refer to "Save to CD-R" in the operating instructions.

Notes on playing back recorded photos on this unit" (page 117).

please give me.

game disk

Disc type	"PlayStation 2" standard	"PlayStation 2" Specifications	"PlayStation" logo
Mark (logo) attached to the disc			
Disc color	Silver/Gold	green	black
being recorded		audio + video	
disk size		12cm	

Discs not compatible with this unit

This unit does not support the following discs

• DVD-RAM

• DVD-Audio

• DVDs with area codes (region codes) that cannot be played on this unit video

• CD-RW

• Video CD

• Super VCD

• HD (High Density) layer of Super Audio CD

• When distributing a color TV format other than NTSC (PAL, SECAM), Screen (because this unit is compatible with the NTSC color TV system)