



## PSX preparation guide

Five points for using PSX for a long time

Preparing for this unit can be easily done by anyone who has experience connecting a VCR to come.

However, unlike conventional VCRs, this unit does not support precision devices such as hard disks.

Because it is equipped with a machine,

If you do the preparation work without knowing some precautions, you may damage the machine or make it work incorrectly, recording may not be possible.

In order to use this unit comfortably, be sure to observe the following five points and be prepared. Please go.

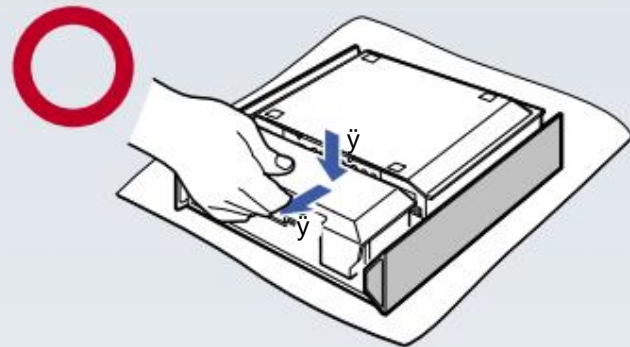
### Point 1 Precautions when connecting

See page 10 for how to connect

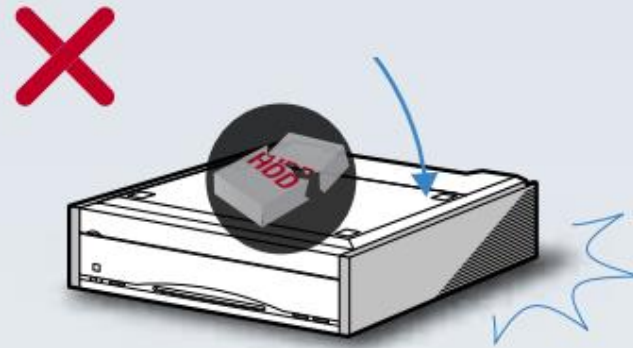
If you connect this unit incorrectly, the hard disk of this unit may be damaged or the antenna may be damaged. You may. Be sure to observe the following cautions.

When connecting, connect with the top side of the unit facing down.

Push the lid once, then pull it forward.

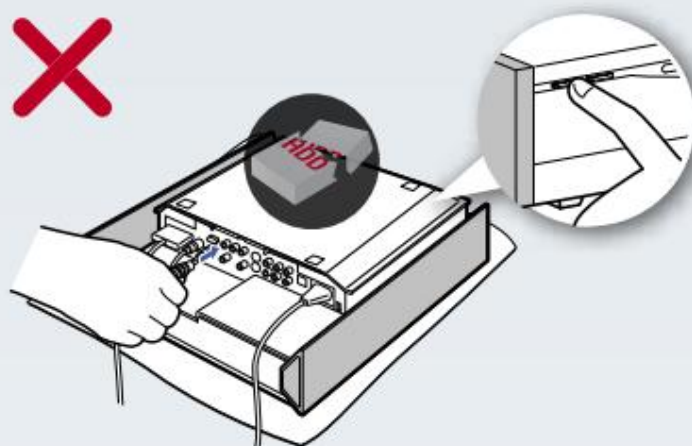


Do not drop this unit or subject it to impact when connecting.



Connect the power cord after all connections are completed.

If the power is turned on during preparation, the hard disk fails. There is a possibility.



When this unit and TV are connected with a video cord or S-video cord, set the progressive output setting of this unit to "Off".

Even if you select "On" in "Set progressive output" (page 124) in "DVD settings" of this unit and output progressive output, no image is displayed. In such cases, leave the setting as "Off".

If DVD images are not displayed, please check the progressive output setting.

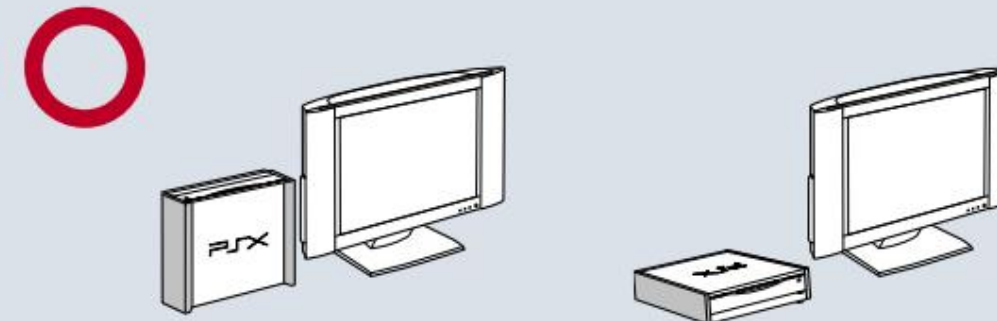
### Point 2 Installation point

See page 16 for how to install

This unit can be placed horizontally or vertically, but if you place it in any other way than specified, it may damage CDs, DVDs, etc. disc does not work properly.

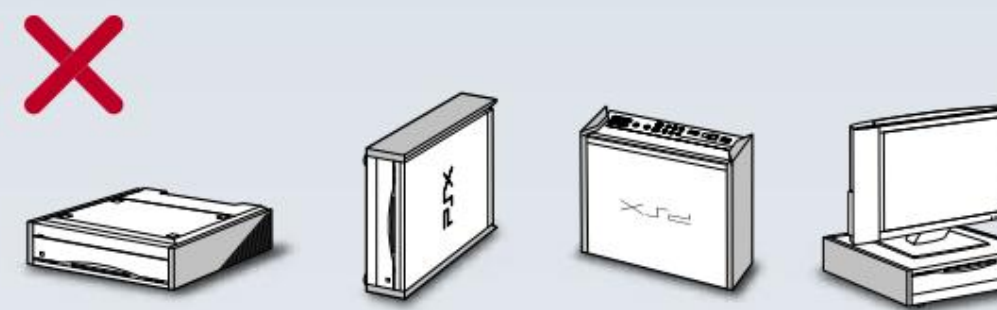
Be sure to install the unit according to the correct installation method.

#### Correct installation



#### bad installation

The machine will not work properly with this setup.



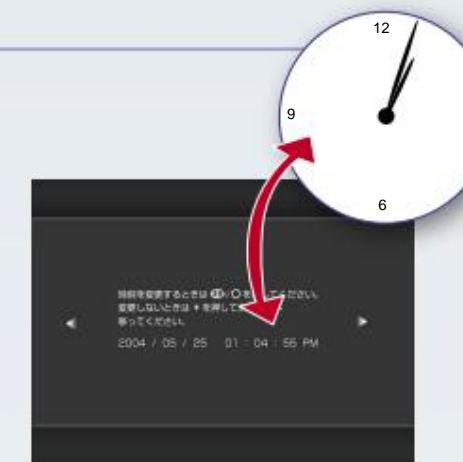
### Point 3 Precautions for "Easy Setup"

See page 18 for how to set

When the connection and installation are completed and the power of this unit is turned on for the first time, the simple setting screen is displayed. on the screen You can set it just by following the displayed instructions, but if you make a mistake in the setting, you will not be able to use the program guide etc. correctly. Be sure to observe the following cautions.

#### Please set the time correctly

If the time is not set correctly, you may not be able to receive the program guide data or the scheduled recording may not work on time. The unit is shipped from the factory with the time set in advance, but just in case, check that the current time matches the unit's time. For details, see page 18 of the Owner's Manual .



#### Please also check the channel settings automatically set in the area code setting just in case.

If you do not select the correct area code for your area in the default area code setting, the program guide will not be displayed correctly. It may not be set and you may not be able to schedule recording.

Also, in the following cases, manual channel setting is required to obtain the program guide data.

Please note that it may become

- The displayed channel in the guide channel list (page 148 of the instruction manual) is different from the TV channel
- If you are using cable TV or an apartment community reception system, etc., the guide channel list display channel is different

### Point 4 Point of reception of program guide

See P33 for how to receive

Data such as program names to be displayed in the program guide is sent several times a day from a specific TV station through the TV antenna. provided periodically.

The program guide cannot be used at the time of purchase.

At the time of purchase, the data of the program guide is received because the data of the program guide is not stored in this unit. Until then, the program guide cannot be used. When the area code is changed, the time to acquire the program information of the program guide is automatically changed. is set to

For the acquisition time, see "Setting the time for acquiring program information in the program guide" (page 120). please give me. Do not change the set time.

However, in the following situations, this unit will not acquire program information even when the program information acquisition time arrives.

- When watching a TV program
- When recording a TV program
- When the home menu is displayed while watching TV
- During dubbing from HDD to DVD
- During dubbing from DV to HDD
- During optimization
- When creating x-Pict Story

#### Precautions regarding acquisition of program guide data

•When you use this unit for the first time after purchase, the program guide data will not be displayed until the program guide is downloaded. The time it takes to send program guide data is determined by the broadcasting station (host station) that sends the program guide data. It may take several days.

You can enjoy the functions of this unit other than the program guide even when the data of the program guide is not obtained.

•When the time to acquire the program guide is approaching, we recommend that you turn off the unit and leave it for about an hour. (Also make sure there are no scheduled recordings during this time).

•Depending on the radio wave conditions and the occurrence of ghosts, it may not be possible to acquire the program guide data.

### Point 5 Points for handling this machine

For basic preparation of this unit, refer to "Preparation 1 Checking the Accessories" to "Preparation 7 Easy Setup " in the instruction manual. If you do not handle the machine while using it, please follow the precautions below. may lead to malfunction.

#### Do not pull out the power cord or move the main unit when the power is on.

Hard disks have built-in safety mechanisms to protect data from vibrations, shocks, and dust, but improper use can result in loss of recorded data or damage. In particular, be sure to observe the following precautions. - Do not move the unit or change its orientation while the power cord is plugged in. - When you plug or unplug the power cord or turn the power on and off, immediately move or move the

- do not Wait about 20 seconds after turning off the power.
- Do not move the unit or change its orientation while the HDD ACCESS lamp is blinking.

#### Make sure that there is no disc in this unit before inserting the disc.

If you try to insert a disc while it is inside the unit, the disc may be damaged. I will.

# Check basic operations

## How to operate the remote control

This unit can be operated using only the following remote control buttons.

image

### number button

Turn off the channel of this unit.  
Press when you want to change.  
TV channel  
cannot switch  
not.

### Δ button

•Display optional functions  
Press when you want.  
•The operation panel was displayed.  
Press when

### home button

displayed the home menu  
Press when you want to exit/return

image

At the time of purchase, the  
Set the remote control mode to "1"  
Since it is set  
Also set to "1" on the remote control side  
please.

For descriptions of other buttons on the remote control, see  
See "Part names" (page 152).



It is a key that can be used on the TV.

### ○/ Enter button

•When you play the content  
press it.  
- Items selected on the menu  
Press to confirm

image

### the cross key

•Displayed on the menu  
when you move the cursor  
I use it when  
•Turn off the wizard screen  
Used when replacing.

### X button

•Stop playback and  
Used to return to the menu  
increase.  
•Return to the previous menu  
Press when

## Home menu introduction

Press the home button on the remote control to display the home menu.  
will be  
On this unit, select a category such as TV, Video, Music, or Photo from the  
home menu and use the functions of each category.

image



- Save to "Memory Stick", digital camera or CD-R  
Play back stored photos and videos. (page 104)
- Save photos and videos on the hard disk of the unit.  
(page 106)
- Creating video works using photos saved on the device  
(x-Pict Story). (page 107)



- Play songs recorded on a CD or CD-R. (page 92) • Save songs  
to the hard disk of this unit. (page 93) • Perform using songs  
saved on this unit (x-DJ). (page 96)



- Schedule recording by specifying the time.  
(page 62)
- Play DVDs and recorded videos  
be. (page 51)
- Preset keywords  
automatically record in the mode (x-Omaka)  
Se-mar record). (page 68)
- Edit the recorded video. (74)
- Page)•Dubbing the recorded video  
to DVD . (page 78)
- Dubbing video from a digital  
video camera connected to the  
DV IN terminal to the HDD  
( automatic DV dubbing). (page 83)



- Watch a TV program. (page 47)
- Make a recording reservation using the program guide.  
(page 60)
- Record the TV you are watching.  
(page 57)



- Playing "PlayStation" or  
"PlayStation 2" games (page 114)

# List of discs that can be played/dubbed on this unit

You can use various types of discs with this unit.  
The discs that can be used differ depending on the functions of this unit.

## Discs that can be played with video

of the disc type	Disc name	DVD-ROM	DVD-R	DVD-RW	DVD+R	DVD+R DL	DVD+RW
logo							
Mode - Display on			Video mode	Video mode	VR mode + VR mode	VR mode + VR mode	VR mode + VR mode
this unit	DVD	Video	Video	Video	DVD-VR	DVD+VR	DVD+VR

## Discs that can be dubbed with video

of the disc type	Disc name	DVD-R	DVD-RW	DVD+R	DVD+RW	
logo						
Mode	Video mode	Video mode	VR mode	+VR mode +VR mode		
Display DVD Video on this unit		DVD Video	DVD-VR	DVD+VR	DVD+VR	
Compatible disc version		Ver2.0y Ver2.0/4x speed, Ver2.0/8x speed	Ver1.1, Ver1.1 CPRM compatible, Ver1.1/2X CPRM compatible, Ver1.2/4X CPRM compatible	8x disc or correspond with	4x disc or correspond with	
Maximum recording time		about 6 hours				
Compatibility with other devices						
		Playable on DVD players	Playable on DVD players	Playable only on devices that support VR mode	Playable only on devices that support +R	
Number of times that can be dubbed		Only once	repeatable	Only once	repeatable	
Notes after dubbing						
						For more information page 79
Create DVD menu						
						For more information 81 pages
Create playlist						
						For more information page 78
Dubbing of	Main audio only *2					
	bilingual broadcasting					
	Secondary audio only *2					
	Main audio + secondary audio					
						For more information 122 pages

\*1 Recorded with the audio selected in the "DVD dual language recording audio"  
setting. \*2 Only the audio of the HDD bilingual recording audio set at the time of recording is  
dubbed. \*3 Both main and sub-audio are dubbed, and can be switched between main and sub-audio during playback.

## Discs that can be played with Music (play music)

Only music CDs and CD-Rs can be played on this unit.  
CD-RW is not supported.  
For information on how to create a CD-R on a computer so that it  
can be played on this unit, see "Notes on playing MP3 files saved  
on a CD-R on this unit " (page 101).

Disc type	Disc name	CD	CD-R
logo			
operation		Commercially available software CD recorders or CDs created with a computer that record music and voice. Music formats and MP3 files only playable	

## Discs that can be played with Photo

CD-R is the only disc that can be played back with Photo on this unit.  
For notes on creating a CD-R, see "Notes on playing photos saved  
on a CD-R on this unit" (page 112).

## game disk

Disc type	"PlayStation 2" standard	"PlayStation 2" standard	"PlayStation" standard
Mark (logo) attached to the disc			
disc color	Silver/Gold	green	black
What is recorded	audio + video		
disk size	12cm		

## Discs not compatible with this unit

- This unit does not support the following discs**
- DVD-RAM
  - DVD-Audio
  - DVDs with area codes (region codes) that cannot be played on this unit  
video
  - CD-RW
  - Video CD
  - Super VCD
  - HD (High Density) layer of Super Audio CD
  - Discs compatible with color TV systems other than NTSC (PAL,  
SECAM) (because this unit is compatible with NTSC color TV systems)